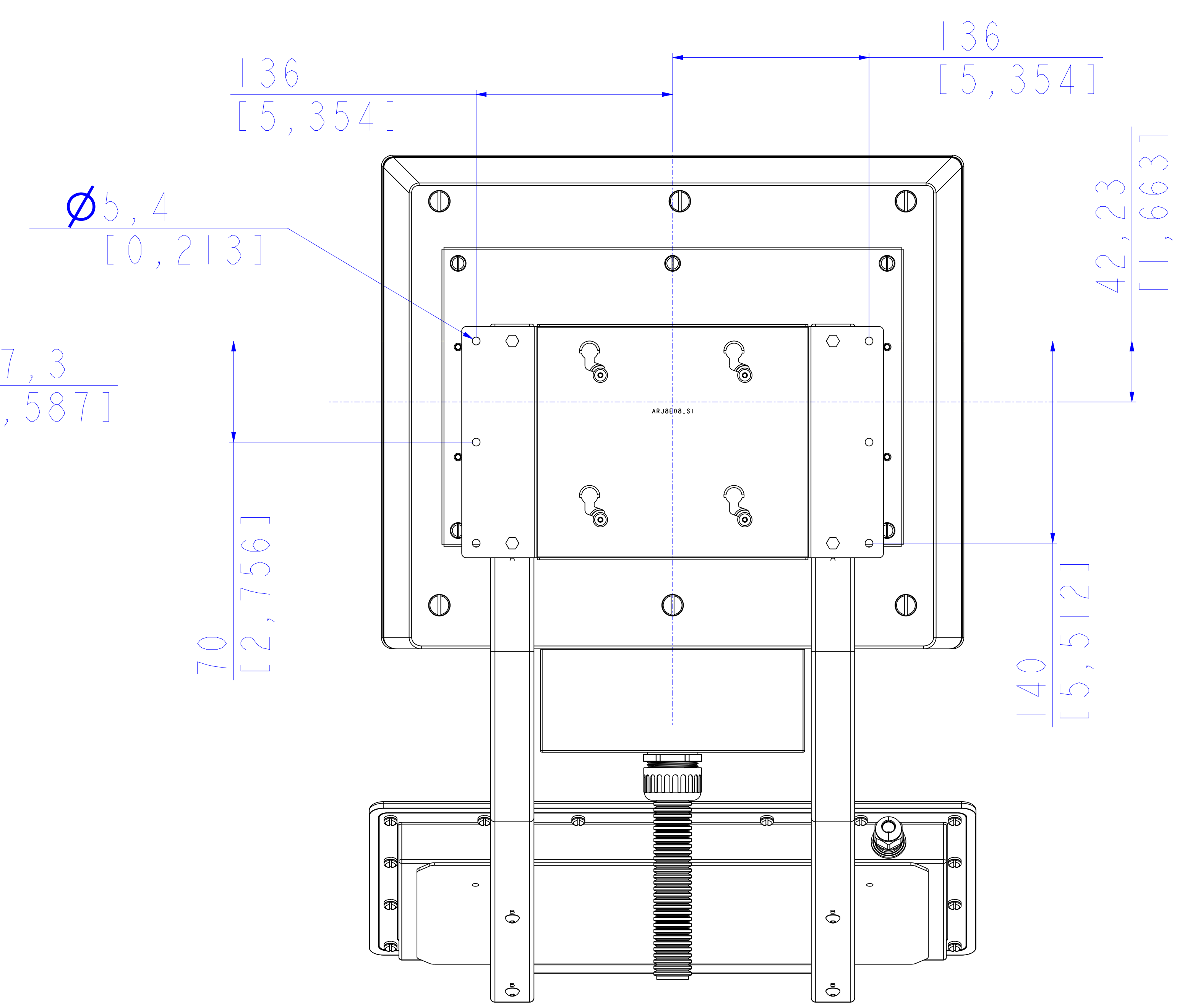
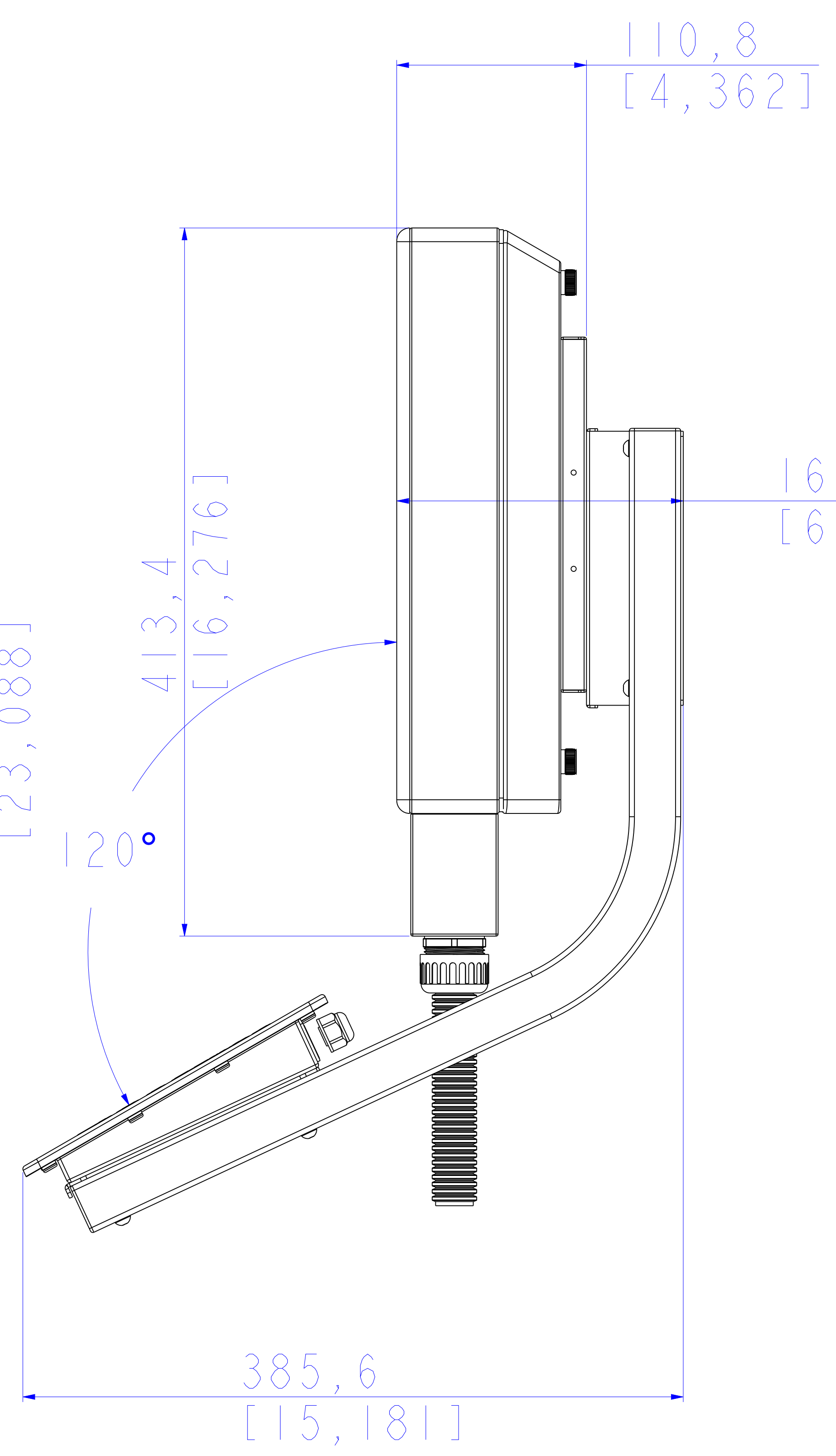
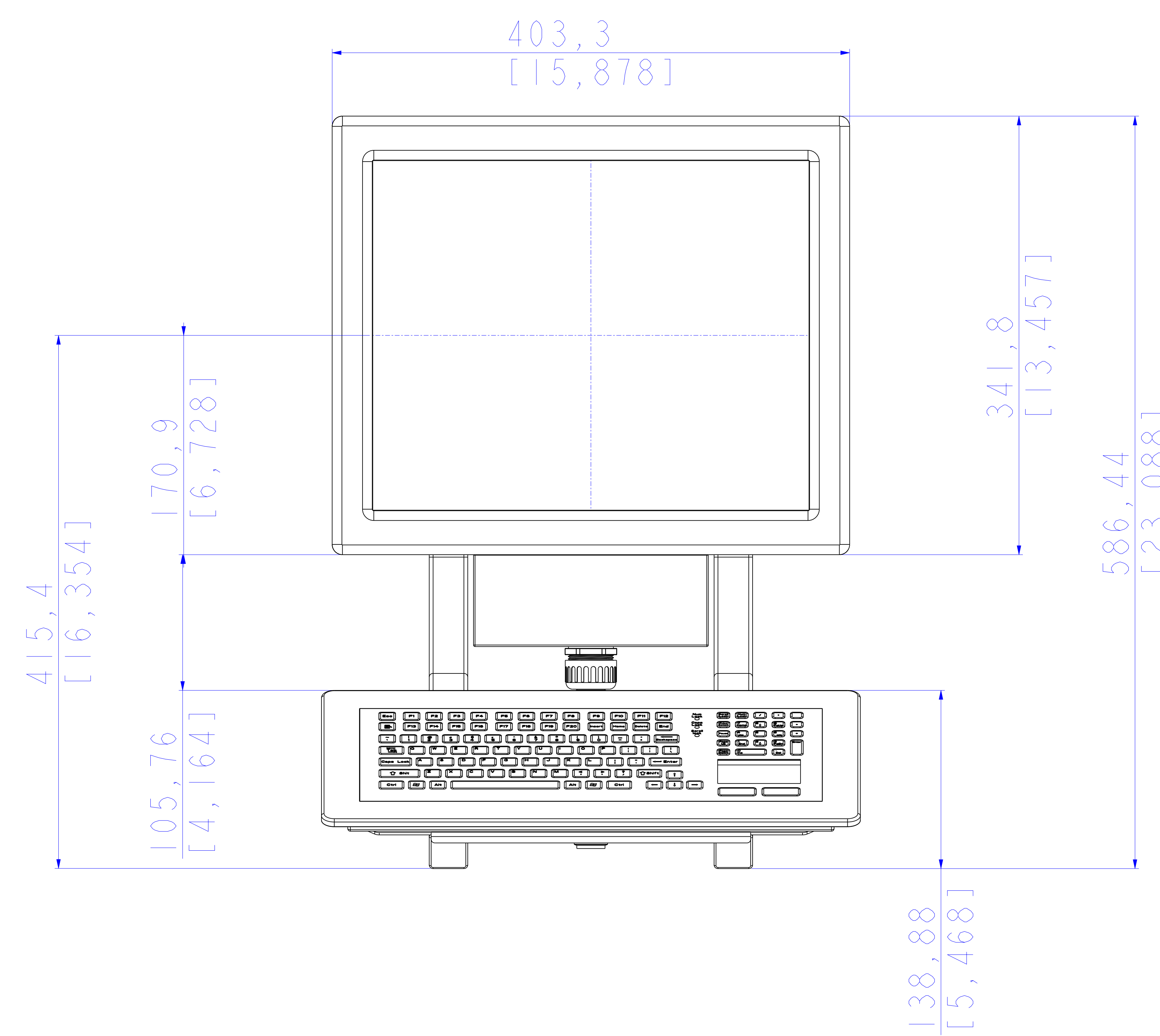
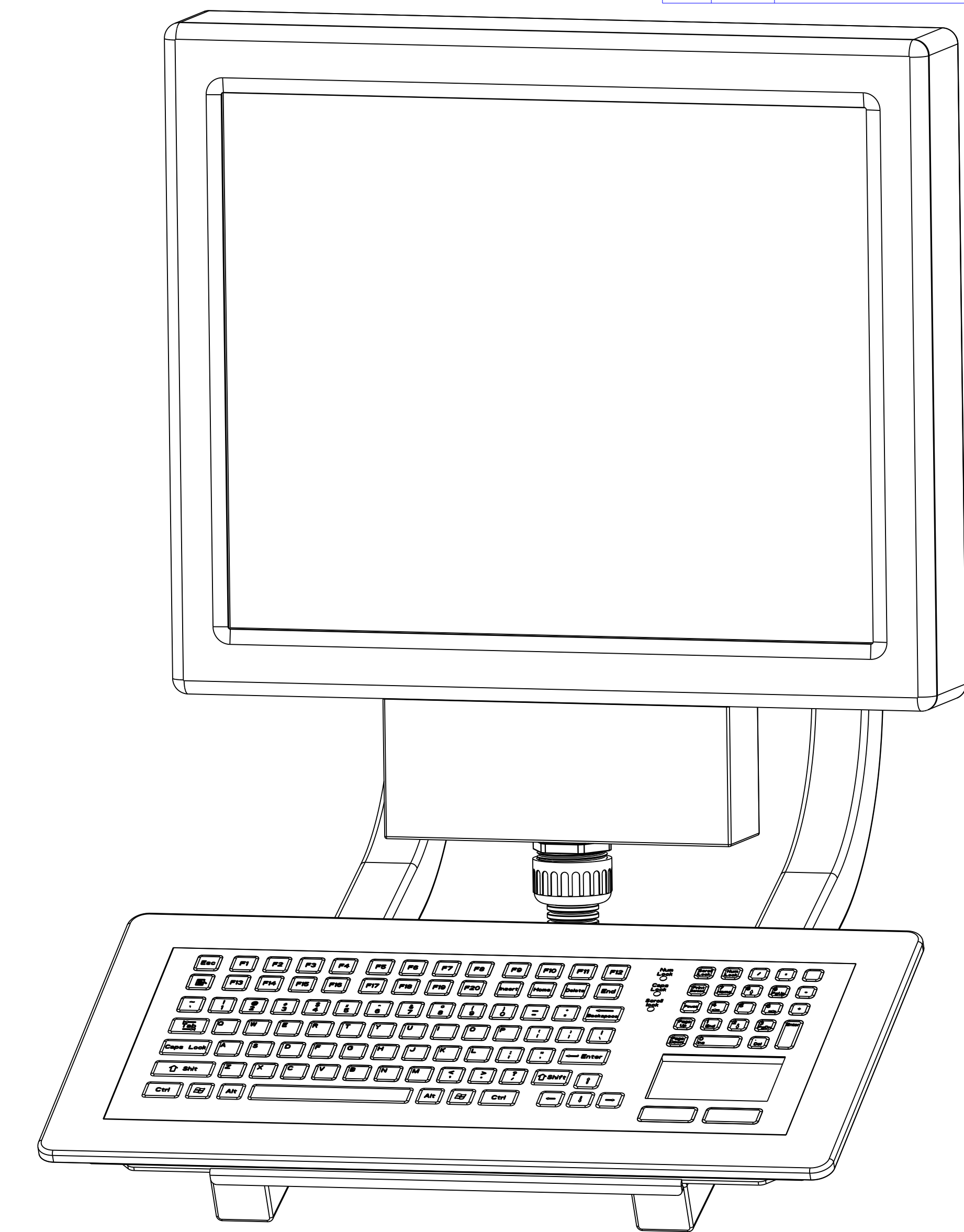
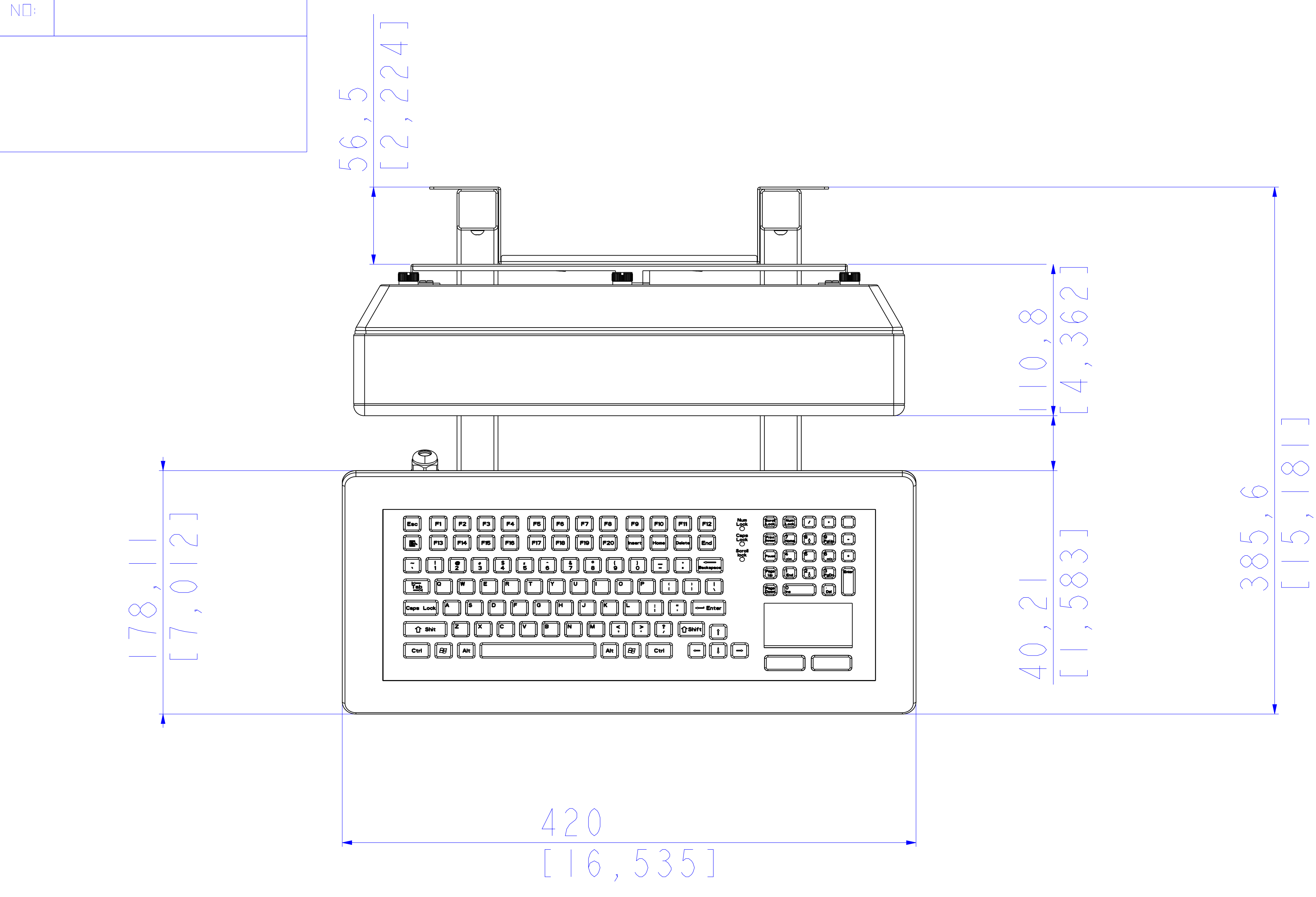


ITEM NO:

ITEM QTY		PARS LIST	P/N
		DESCRIPTION	



ALL DIMENSIONS IN MILLIMETRES
 THIRD ANGLE PROJECTION

The information disclosed on this document is the exclusive property of ARISTA CORPORATION. Reproduction, disclosure, or the use of this document or information without the written permission of ARISTA CORPORATION is prohibited.

ZONE	REV	DESCRIPTION	DATE	APPROVED

TOLERANCES 0-30mm ±0.1 30-120mm ±0.15 120-315mm ±0.2 >315mm ±0.3	B ±0.25 ±0.46 ±0.6 ±1.1	C ±0.6 ±1.6 ±2.5
DWN Justin CHECKED DESIGNED YOYO	DATE 2001-10-23	TITLE AMA-551AX-SIZE
SIZE A0 SCALE 0.5	FSCM NO. INV. NO.	DWG NO. SHEET OF

ARISTA ARISTA CORPORATION
 41300 Bayle Rd., Fremont, CA 94538